

Martin® Inspection Doors



Available in rubber, mild steel, or stainless steel, **Martin® Inspection Doors** provide quick and easy access to belt cleaners and other components inside chutes and enclosures for inspection or service.

BENEFITS

MARTIN® RUBBER INSPECTION DOORS*

**Martin® Rubber Inspection Doors should only be used when belt cleaner mainframe is required to extend through the door.*

- **Dust-Tight Seal**
“Snap-on” rubber doors form tight seal to contain dust and fines.
- **Works In Tight Spaces**
Opens in less than 2.5 inches (65 mm) clearance for access in obstructed areas.
- **Options to Fit Conditions**
Materials to match conditions, including food-grade applications. Optional inspection screen controls access when door is open; complies with ANSI B.20.1 1984 and ISO 1819-02.1.11.
- **Simple Installation**
Door can be bolted or welded to enclosure wall.
- **Matches Your Application**
Five sizes available, from 9 X 12 to 24 X 24 inches (229 X 305 to 610 X 610 mm).

MARTIN® STEEL INSPECTION DOORS

- **Dust-Tight Seal**
Rubber seal prevents material escape.
- **“Low-Profile” Design**
Door height of 1.80 inches (46 mm) with handle in latched position.
- **Suitable For High Temperatures**
Rubber seal is suitable for temperatures up to 350°F (177°C).
- **Built for Tough Conditions**
Steel door withstands typical positive and negative pressure applications.
- **Simple Installation**
Door can be bolted or welded to enclosure wall.
- **Matches Your Application**
Six sizes available, from 9 X 12 to 36 X 36 inches (229 X 305 to 914 X 914 mm).
Extended-Height Door also available.

TECHNICAL DATA SHEET

APPLICATION GUIDELINES

Martin Engineering recommends a minimum door size of 12 X 14 in. (305 X 356 mm) for pre-cleaners and 12 X 18 in. (305 X 457 mm) for secondary cleaners.

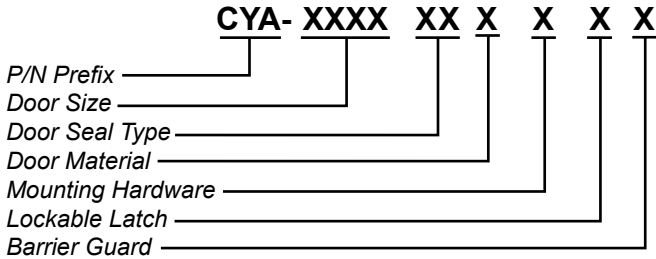
Other options, including food-grade rubber and/or stainless steel frame are available. See your Martin Engineering representative.

*STANDARD DOOR SIZES in. (mm)

9 X 12 (229 X 305)	18 X 24 (457 X 610)
12 X 14 (305 X 356)	24 X 24 (610 X 610)
12 X 18 (305 X 457)	

Additional sizes of steel doors are available upon request.

Martin® Steel Inspection Door



DOOR SIZE*

Approximate door size in inches (width x height)

DOOR SEAL TYPE

HT: High-Temp
 Ø: Standard

DOOR MATERIAL

C: 304 Stainless Steel
 Ø: Painted Mild Steel

MOUNTING HARDWARE

M: With Mounting Hardware
 Ø: Without Mounting Hardware

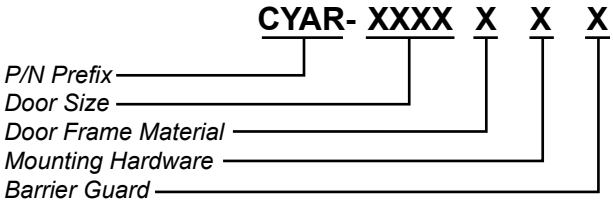
LOCKABLE LATCH

L: With Lockable Latch
 Ø: With Standard Latch

BARRIER GUARD

G: With Barrier Guard
 Ø: Without Barrier Guard

Martin® Rubber Inspection Door



Martin® Rubber Inspection Doors should only be used when belt cleaner mainframe is required to extend through the door.

DOOR SIZE*

Approximate door size in inches (width x height)

DOOR FRAME MATERIAL

C: 304 Stainless Steel
 Ø: Painted Mild Steel

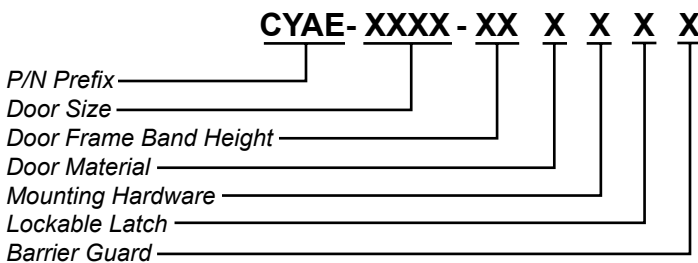
MOUNTING HARDWARE

M: With Mounting Hardware
 Ø: Without Mounting Hardware

BARRIER GUARD

G: With Barrier Guard
 Ø: Without Barrier Guard

Martin® Extended-Height Steel Inspection Door



DOOR SIZE*

Approximate door size in inches (width x height)

DOOR FRAME BAND HEIGHT

Height in inches from 03 to 12. Max. height for 0912, 1214, and 1218 doors is 8 in.

DOOR MATERIAL

C: 304 Stainless Steel
 Ø: Painted Mild Steel

LOCKABLE LATCH

L: With Lockable Latch
 Ø: With Standard Latch

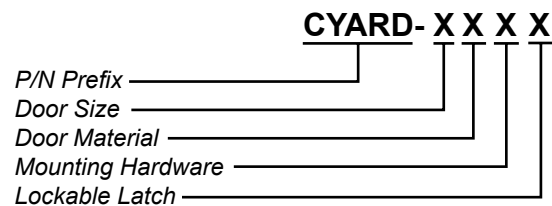
MOUNTING HARDWARE

M: With Mounting Hardware
 Ø: Without Mounting Hardware

BARRIER GUARD

G: With Barrier Guard
 Ø: Without Barrier Guard

Martin® Round Steel Inspection Door



DOOR SIZE

Approximate door size in inches (diameter)

DOOR MATERIAL

C: 304 Stainless Steel
 S: 316 Stainless Steel
 Ø: Painted Mild Steel

MOUNTING HARDWARE

M: With Mounting Hardware
 Ø: Without Mounting Hardware

LOCKABLE LATCH

L: With Lockable Latch
 Ø: With Standard Latch



TECHNICAL DATA SHEET

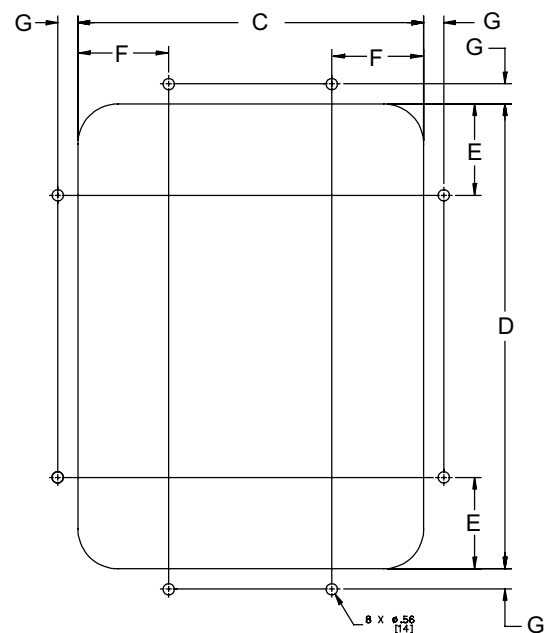
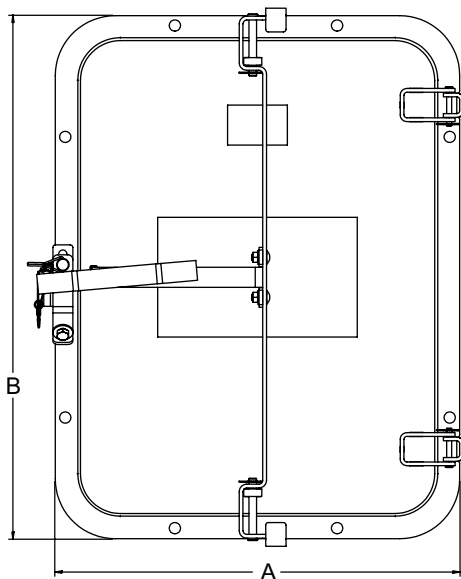
DIMENSIONS -- in. (mm)

Martin® Rubber Inspection Door Part Numbers*					
	CYAR-0912	CYAR-1214	CYAR-1218	CYAR-1824	CYAR-2424
"A"	11.25 (286)	14.50 (368)	14.19 (360)	20.25 (514)	25.94 (659)
"B"	14.38 (365)	16.50 (419)	20.25 (514)	26.19 (665)	25.94 (659)
"C"	8.75 (222)	12.00 (305)	11.69 (297)	17.75 (451)	23.44 (595)
"D"	11.88 (302)	14.00 (356)	17.75 (451)	23.69 (607)	23.44 (595)
"E"	2.81 (71)	2.81 (71)	2.81 (71)	4.81 (122)	4.81 (122)
"F"	2.81 (71)	2.81 (71)	2.81 (71)	4.81 (122)	4.81 (122)
"G"	0.75 (19)	0.75 (19)	0.75 (19)	0.75 (19)	0.75 (19)

*Martin® Rubber Inspection Doors should only be used when belt cleaner mainframe is required to extend through the door.

Martin® Steel Inspection Door Part Numbers								
	CYA-0912	CYA-1212	CYA-1214	CYA-1218	CYA-1812	CYA-1814	CYA-1818	CYA-1824
"A"	11.26 (286)	14.20 (360)	14.20 (360)	14.20 (360)	20.26 (514)	20.26 (514)	20.26 (514)	20.26 (514)
"B"	14.39 (365)	14.39 (365)	16.26 (413)	20.26 (514)	14.20 (360)	16.26 (413)	20.26 (514)	26.20 (665)
"C"	8.25 (210)	11.19 (284)	11.19 (284)	11.19 (284)	17.25 (438)	17.25 (438)	17.25 (438)	17.25 (438)
"D"	11.38 (289)	11.38 (289)	13.25 (337)	17.25 (438)	11.19 (284)	13.25 (337)	17.25 (438)	23.19 (589)
"E"	2.56 (65)	2.56 (65)	2.56 (65)	2.56 (65)	2.56 (65)	2.56 (65)	2.56 (65)	4.56 (116)
"F"	2.56 (65)	2.56 (65)	2.56 (65)	2.56 (65)	2.56 (65)	2.56 (65)	2.56 (65)	4.56 (116)
"G"	1.00 (25)	1.00 (25)	1.00 (25)	1.00 (25)	1.00 (25)	1.00 (25)	1.00 (25)	1.00 (25)

	CYA-2020	CYA-2030	CYA-2418	CYA-2424	CYA-2436	CYA-3018	CYA-3030	CYA-3636
"A"	22.26 (565)	23.50 (597)	26.44 (672)	26.19 (665)	26.19 (665)	33.50 (851)	33.50 (851)	39.50 (1003)
"B"	22.26 (565)	33.50 (851)	20.50 (521)	26.19 (665)	39.50 (1003)	20.50 (521)	33.50 (851)	39.50 (1003)
"C"	19.25 (489)	20.25 (514)	23.19 (589)	22.94 (583)	22.94 (583)	30.25 (768)	30.25 (768)	36.25 (921)
"D"	19.25 (489)	30.25 (768)	17.25 (438)	22.94 (583)	36.25 (921)	17.25 (438)	30.25 (768)	36.25 (921)
"E"	4.56 (116)	4.56 (116)	2.56 (65)	4.56 (116)	4.56 (116)	2.56 (65)	4.56 (116)	4.56 (116)
"F"	4.56 (116)	4.56 (116)	4.56 (116)	4.56 (116)	4.56 (116)	4.56 (116)	4.56 (116)	4.56 (116)
"G"	1.00 (25)	1.00 (25)	1.00 (25)	1.00 (25)	1.00 (25)	1.00 (25)	1.00 (25)	1.00 (25)



TECHNICAL DATA SHEET

MARTIN® ROUND STEEL INSPECTION DOOR

DIMENSIONS -- in. (mm)

Part No.	"A"	"B"	"C"
CYARD-4XXX	7.75 (197)	5.25 (133)	4.50 (114)
CYARD-6XXX	9.25 (235)	6.25 (159)	6.00 (152)
CYARD-8XXX	11.25 (286)	7.75 (197)	8.00 (203)

